

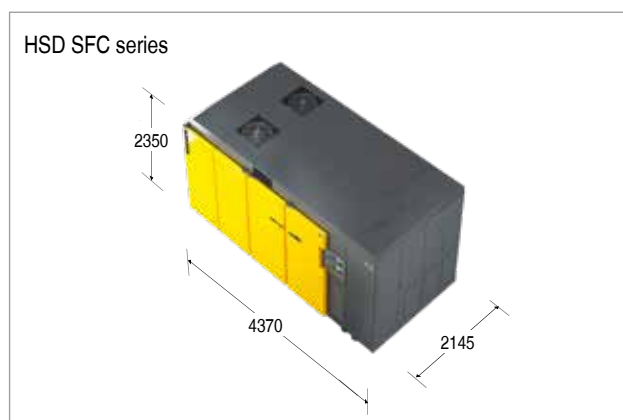
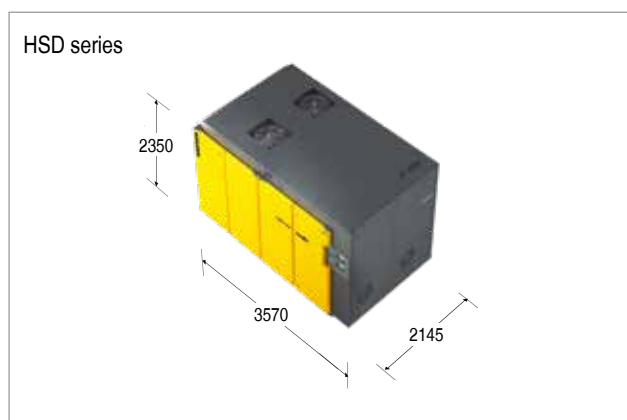
# Technical specifications

## Standard version

Model	Working pressure	Flow rate *) overall machine at operating pressure	Max. operating pressure	Drive motor rated power	Dimensions W x D x H	Compressed air connection	Sound pressure level **)	Mass
	bar							
HSD 662	7.5	66.40	8.5	360	3570 x 2145 x 2350	DN 150 PN 16	71	8100
	10	54.44	12					
	13	43.72	15					
HSD 722	7.5	72.40	8.5	400	3570 x 2145 x 2350	DN 150 PN 16	72	8500
	10	59.48	12					
	13	47.87	15					
HSD 782	7.5	78.40	8.5	450	3570 x 2145 x 2350	DN 150 PN 16	72	8600
	10	65.31	12					
	13	53.07	15					
HSD 842	7.5	84.40	8.5	500	3570 x 2145 x 2350	DN 150 PN 16	73	8700
	10	71.15	12					
	13	58.27	15					

## SFC - Version with variable speed drive

Model	Working pressure	Flow rate *) overall machine at operating pressure	Max. operating pressure	Drive motor rated power	Dimensions W x D x H	Compressed air connection	Sound pressure level **)	Mass
	bar							
HSD 662 SFC	7.5	10.40 - 66.35	8.5	382	4370 x 2145 x 2350	DN 150 PN 16	73	9100
	10	8.50 - 57.50	12					
HSD 782 SFC	7.5	11.90 - 77.80	8.5	410	4370 x 2145 x 2350	DN 150 PN 16	74	9600
	10	10.00 - 65.50	12					
	13	8.00 - 55.78	15					
HSD 842 SFC	7.5	11.90 - 87.30	8.5	515	4370 x 2145 x 2350	DN 150 PN 16	75	10100
	10	10.00 - 74.44	12					
	13	8.00 - 63.44	15					



\*) Flow rate complete system as per ISO 1217: 2009 Annex C/E: absolute inlet pressure 1 bar (a), cooling and air inlet temperature +20 °C

\*\*) Sound pressure level as per ISO 2151 and basic standard ISO 9614-2, tolerance: ± 3 dB (A)